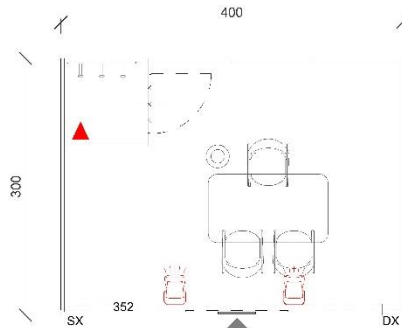


**ST092****Linear booth 12 m<sup>2</sup>****STRUCTURE**

Floor carpeting set down with protective nylon sheet  
White Laminated boundary front top H 28 cm  
Hollow core wood panels with grey cloth coating H 285 cm

**ELECTRICAL SYSTEM**

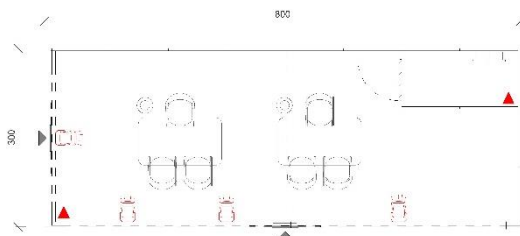
No. 1 multiple power socket - 220V  
No. 2 spotlights with iodide lamp 150W

**GRAPHICS**

No. 1 frontal sign 130x36 cm for each open side with Sana Tech Logo

**FURNITURE**

No. 1 rectangular table – white top cm 140x80  
No. 3 black chairs  
No. 1 coat rack  
No. 1 waste paper basket

**ST092****Corner booth 24 m<sup>2</sup>****Notes:**

Carpet color may be changed with an extra fee.  
It is allowed to attach graphics onto the walls only with pins or headless nails (front top and columns cannot be customized)  
The equipment above gets increased for areas that are multiple of 12 sqm.  
Renunciation of basic equipment may be notified to BF Servizi 15 days before the event starts- no replacements or reduction in price would be applied.

**IMPORTANT SAFETY NOTES AND REGULATIONS**

It is strictly forbidden to add live loads to all pre-fitted booths - Exhibitors who need to attach or hang anything onto the panels must be authorized by BF Servizi.  
It is forbidden to use any tool or device that may damage the panels and/or their coating - any damage caused to the booth materials will be priced and charged after the exhibition.  
Maximum load allowed on each shelf 5kg. If not arranged in advance, positioning may be changed on-site only by BF Servizi: an extra fee may be applied.